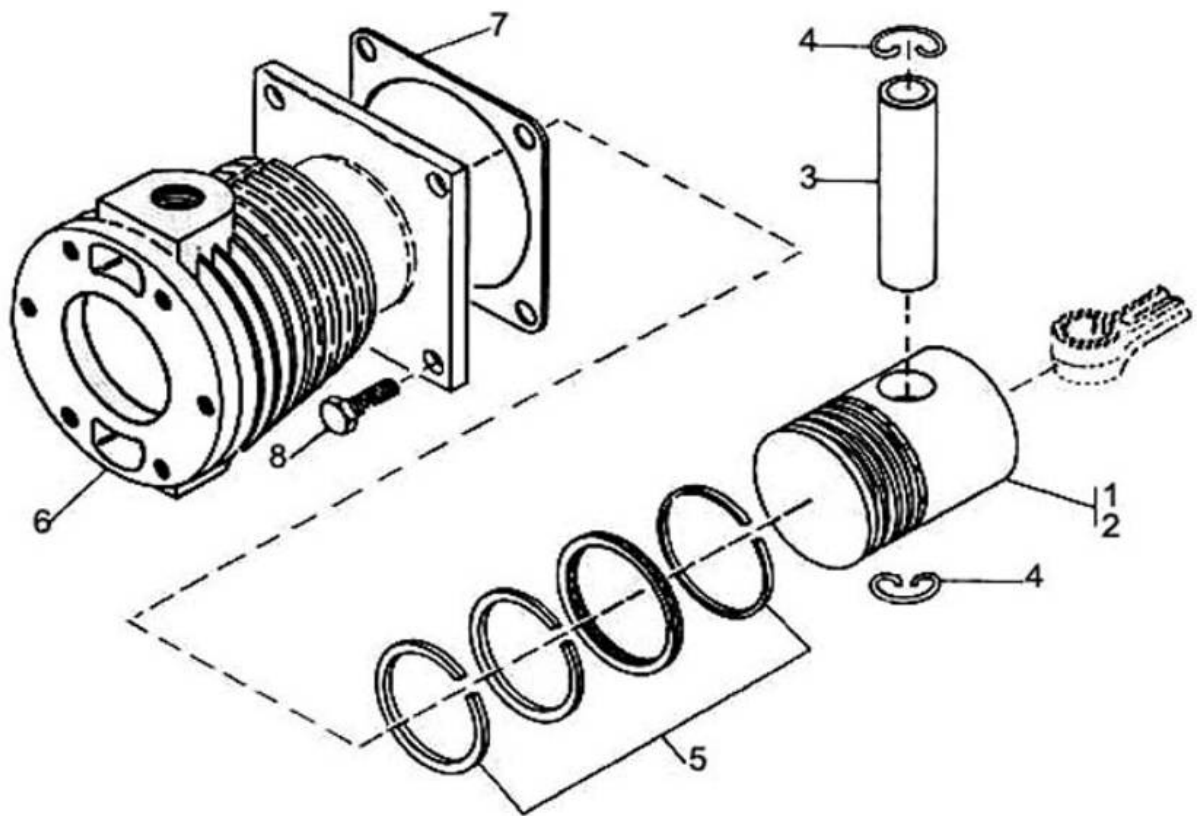


6. 5.5 Inch Diameter Piston & Cylinder Assembly Model 71T2



All manufacturer's names, numbers, photos, product description and/or part numbers are used for reference purposes only & it is not implied that any part listed is the product of these manufacturers. Since Approvement are made from time to time, the illustration and specifications are subject to change without notice.

6. 5.5 Inch Diameter Piston & Cylinder Assembly Model 71T2



REF. NO.	PART NUMBER	DESCRIPTION	CCN NUMBER	UNITS PER ASSY	REC SPARES		
					1	2	3
6-1	W75295T240R	Piston and rings complete	31517675	1			
6-2	W75295T240	* Piston complete	30215222	1			
6-3	W11869	** Pin piston	30288427	1			
6-4	W11870	** Ring lock	30288450	2			
6-5	W114364T3	* Set piston ring	37138070	1	1	1	2
6-6	W75296T380	Cylinder complete	30212161	1			
6-7	W21481	* Gasket cylinder flange	30294235	1	1	1	2
6-8	35A2C219N	Screw cap-	95053575	4			

All manufacturer's names, numbers, photos, product description and/or part numbers are used for reference purposes only & it is not implied that any part listed is the product of these manufacturers. Since Approvement are made from time to time, the illustration and specifications are subject to change without notice.